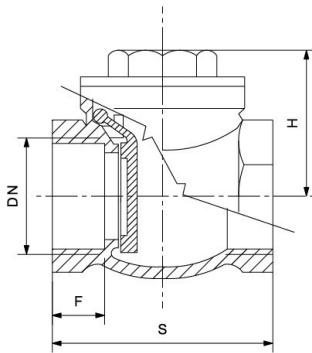




RIV 2250

Swing check valve F/F
metal seat

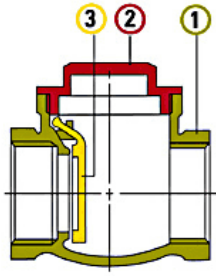
Tech drawings and tables



DN	Code	H	S	F	PN	KG	P/box
1/2"	032250000004	31	47	11	16	0,144	20
3/4"	032250000005	34	54	12	16	0,214	10
1"	032250000007	40	64	13	16	0,339	10
1"1/4	032250000008	46	76	14	16	0,502	10
1"1/2	032250000009	52	83	15	16	0,692	6
2"	032250000011	59	98	16	16	1,021	4
2"1/2	032250000013	67	116	18	16	1,625	1
3"	032250000014	77	135	20	16	2,246	1
4"	032250000016	91	164	22	10	4,009	1
5"	032250000018	118	206	23	10	10,712	1
6"	032250000019	134	235	27	10	15,539	1

Technical data

Art. 2250



Materials

1	Body	1/2" - 4" Brass	1/2" - 1" CW617N
		5" - 6" Bronze	1"1/4 - 4" CB754S 5" - 6" CB491K
2	Plug	Brass	CW617N
3	Obturator	Brass	CW617N

Connections

ISO 228/1

Limit

-10°C (without liquid) +90°C

Notes

The max. working pressure (PN) means at a room temperature of about 23°C.